

Industrial Video Borescope MRU Series

MRU Series (Industrial Video Borescopes)
HKT Series (Monitors for industrial video borescopes)

High-Quality Imaging Sensor
Employed with No Fiber



MRU-7CAM For Gas Pipe Inspection



- Outer surface of tube is reinforced by SUS blade
- Diameter of probe: 0.27" (7mm), Probe length: 32ft (10m)
*Extendable up to 328ft (100m)
- Drip-proof: Insertion tube and camera
- 80,000 pixels Color CMOS Imaging Sensor
- 3.5" & 5.6" Color LCD monitors are available
- On-board memory (USB memory stick)

MRU-8CAM Water-Proof Industrial Video Borescope



- Employed low-intensity PE with lubricative surface of tube
- Diameter of probe: 0.31" (8mm), Probe length: 32ft (10m)
*Extendable up to 328ft (100m)
- Water-proof: Insertion tube and camera (Hydraulic resistance value: 0.4MPa experimental value)
- 80,000 pixels Color CMOS Imaging Sensor
- 3.5" & 5.6" Color LCD monitors are available
- On-board memory (USB memory stick)

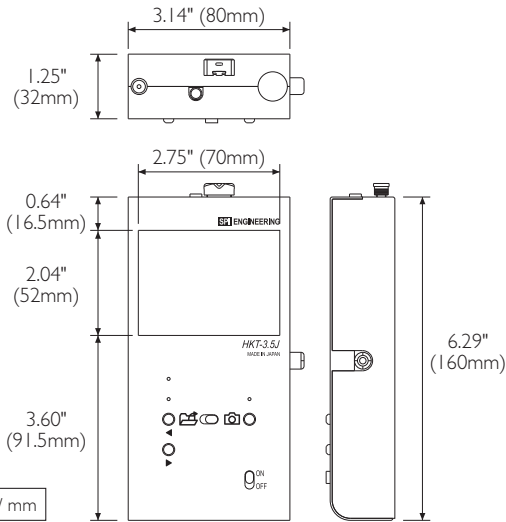
MRU-20CAM For Pipe and Pipe Line Inspection



- Employed low-intensity PE with lubricative surface of tube
- Diameter of probe: 0.79" (20mm), Probe length: 6.5ft (2m)
*Extendable up to 328ft (100m)
- Water-proof: Insertion tube and camera
- 80,000 pixels Color CMOS Imaging Sensor
- Employed taper coil spring to pass traps in pipe line with pushes
- 0.11" High-intensity White 8 LEDs
- 3.5" & 5.6" Color LCD monitors are available
- On-board memory (USB memory stick)

HKT-3.5J 3.5" Monitor

Dimensional



Monitor options

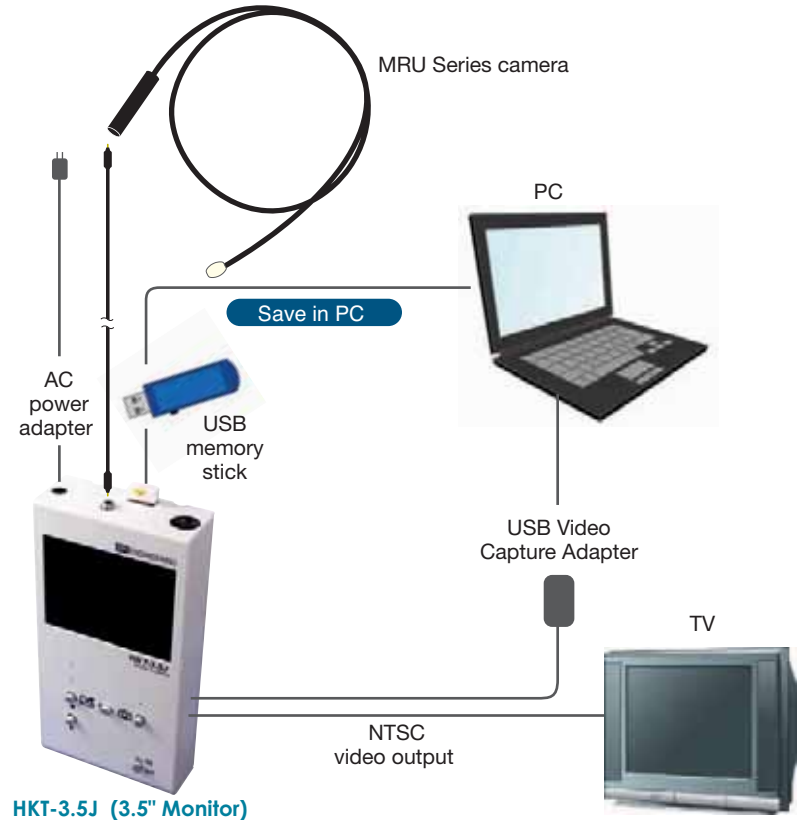
NTSC output

Display the image on monitor equipped with RCA video input. You can also record the live video with a video recorder.

External USB video capture card

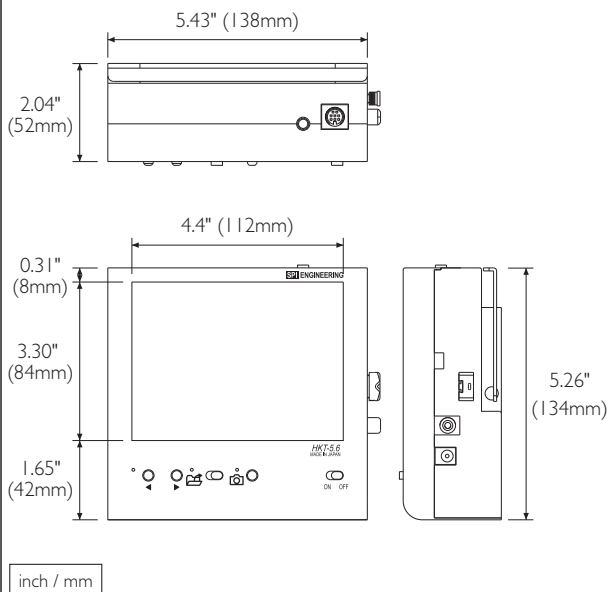
Display the image on computer through USB port and you can observe the images on your computer. You can also record live video with your computer.

Connection Diagram



HKT-5.6 5.6" Monitor

Dimensional

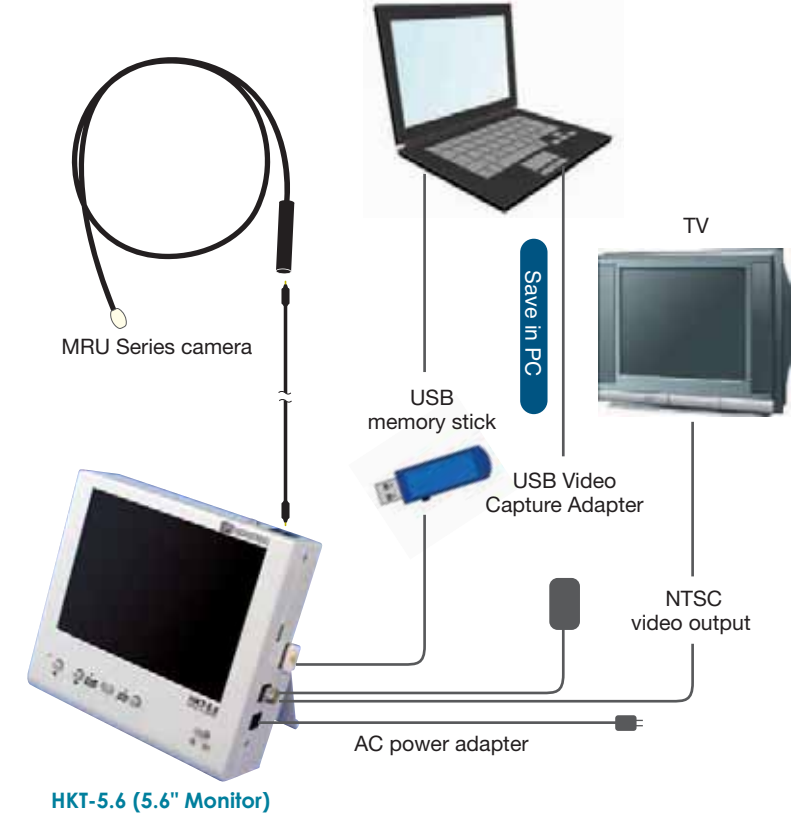


Monitor options

Internal USB video capture card

Display the image on computer through USB port and you can observe the images on your computer. You can also record live video image with your computer.

Connection Diagram



Specifications:

Camera	Model	MRU-7CAM	MRU-8CAM	MRU-20CAM
	Sensor	1/18" CMOS Sensor		
	Resolutions	320 x 240		
	Light Source	4 White LEDs	4 White LEDs	8 White LEDs
	Camera probe diameter	0.27" (7mm)	0.31" (8mm)	0.79" (20mm)
	Angle of view	90 degrees	55 degrees	90 degrees
	Focal Distance	0.39" to 1.96" (10 to 50mm)		
	Length	32ft (10m) (Extendable up to 328ft/100m)	32ft (10m) (Extendable up to 328ft/100m)	6.5ft /2m (Extendable up to 328ft/100m)
	Tube	Stainless blade hose	Coating: Low-density PE, Inner tube: Stainless Liner tube	
	Waterproof property	Hydraulic resistance value: 0.4MPa (Experimental value)		
	Accessories	Centering guide		

Monitor	Model	HKT-3.5J	HKT-5.6
	Screen size	3.5" Color TFT Monitor	5.6" Color TFT Monitor
	Monitor size	2.83" x 2.04" (72mm x 52mm)	4.40" x 3.30" (112mm x 84mm)
	Resolution	320 x 3 (RGB) x 240	640 x 3 (RGB) x 480
	Input	HNL-3.6CAM, HNL-4.6 series of camera probes, MRU series of camera probes, BOB series of camera probes, and ISG series of camera probes	
	Output	USB memory flash output	
		NTSC video output (option)	NTSC video output
	Digital Data Storage	JPEG	
	Power	100-240V AC power adapter (6V, 2A)	
		Size AA battery x 4 (1 hour in continued use)	Size C battery x 4 (2 hours in continued use)
	Unit size	3.14" x 6.29" x 3.30" (80 x 160 x 32 mm)	5.35" x 5.27" x 2.04" (136 x 134 x 52 mm)
	Weight	1.10lb (500g)	1.76lb (800g)
	Accessories	100-240V AC power adapter (6V, 2A) ULc	
		USB memory flash output	
RCA video cable (for connection to TV)			
Options	External USB video capture adapter *When choosing this option, RCA video output automatically comes with monitor. *External USB video capture adapter cannot be mounted inside of HKT-3.5J itself.	USB video capture adapter *USB video capture adapter can be mounted inside of HKT-5.6 itself (Need to specify at the time of order)	
	Aluminum hard unit case		

Option	Product name
	Aluminum hard unit case



Specifications can be modified without any notifications.
Please do not use industrial use portable video borescope for medical purposes.

Manufacturer / Distributor

SPI Engineering Co., Ltd.

1-18-1 Wakasato, Nagano City,
Nagano, Japan, 380-0928
Phone: 81-26-219-5385
Fax: 81-26-219-5386
E-mail: sales@spieng.com
Website: <http://www.spieng.com>

Distributor