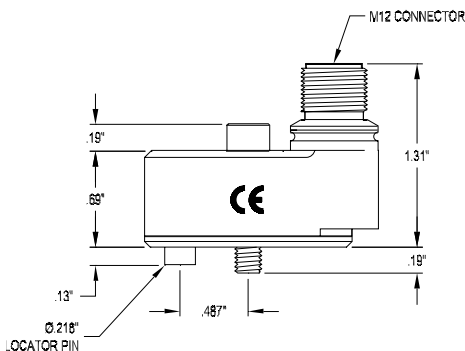
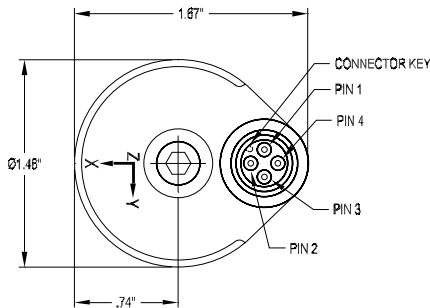


Wilcoxon Research model 993B-7-M12 General purpose, hermetic triaxial accelerometer



Features

- Rugged hermetic design
- 3-axis simultaneous sensing
- Broad frequency response
- Captive mounting screw
- EMI/RFI protection
- ESD protection
- Reverse wire protection
- Low noise



Dynamic

Sensitivity, $\pm 10\%$, 25° C	100 mV/g
Acceleration range	60 g peak
Amplitude nonlinearity	1%
Frequency response ¹ :	
Z Axis ± 3 dB	2 - 10,000 Hz
X and Y axis ± 3 dB	2 - 7,000 Hz
Transverse sensitivity, max	7% of axial

Electrical

Power requirement:	
Voltage source	18 - 30 VDC
Current regulating diode	2 - 5 mA
Electrical noise, equiv. g nominal:	
Broadband 2.5 Hz to 25 kHz	160 μ g
Spectral	
10 Hz	10 μ g/√Hz
100 Hz	2.0 μ g/√Hz
1000 Hz	1.5 μ g/√Hz
Output impedance, max.	400 Ω
Bias output voltage	12 VDC
Grounding	case isolated, internally shielded
Turn-on time	<1 sec

Environmental

Temperature range	-50 to 120° C
Vibration limit	500 g peak
Shock limit	5,000 g peak
Electromagnetic sensitivity, equiv. g.	100 μ g/gauss
Sealing	hermetic
Base strain sensitivity, max.	0.0005 g/ μ strain

Physical

Weight	124 g
Case material	316L stainless steel
Mounting	10-32 tapped hole
Output connector	4 pin, M12 style
Mating connector	M12 HT
Recommended cabling	TBD

Connections

Function	Connector pin
Axis X, power / signal	1
Axis Y, power / signal	2
Axis Z, power / signal	3
common (all channels)	4
ground	shell

Accessories supplied: captive screw, calibration data
Notes: ¹ As measured using the TCC-993 mounting cube

Meggitt Sensing Systems
20511 Seneca Meadows Parkway
Germantown MD 20876
USA

Tel: 301 330 8811
Fax: 301 330 8873
Email: wilcoxon@meggitt.com

www.wilcoxon.com
www.meggitt.com

MEGGITT
smart engineering for
extreme environments
99056 Rev.A.2 9/11